

# PARTITION WALL SYSTEM: ASSEMBLY INSTRUCTION

## ALL GLASS WALL SYSTEM

version 1.2 (2015-02-09)

6.03.3.c

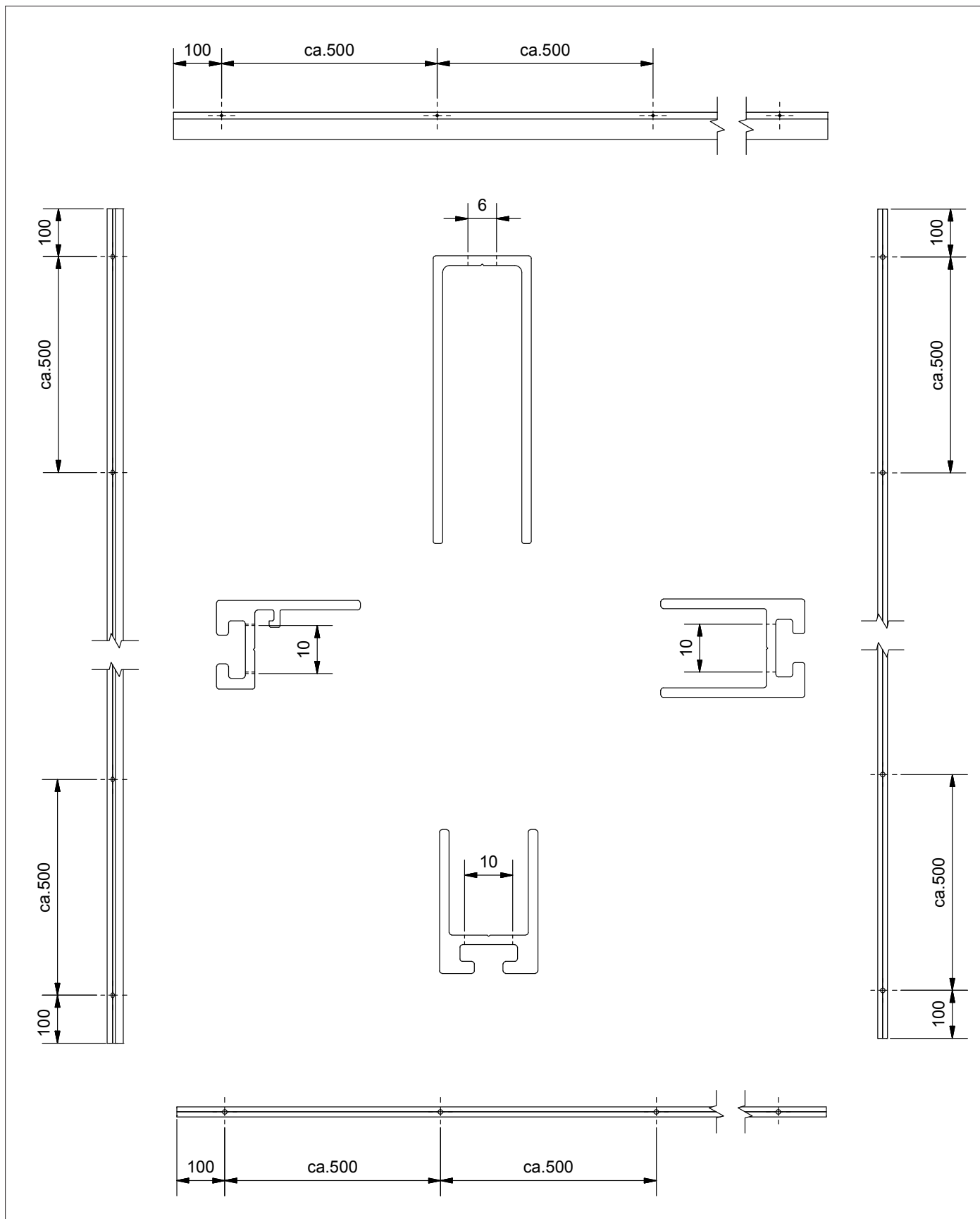
**Install**  A horizontal bar divided into three segments: 'easy' (white), 'middle' (grey), and 'difficult' (white). The 'middle' segment is shaded grey, indicating the difficulty level of the installation.

Subject to technical changes.

**raumplus**

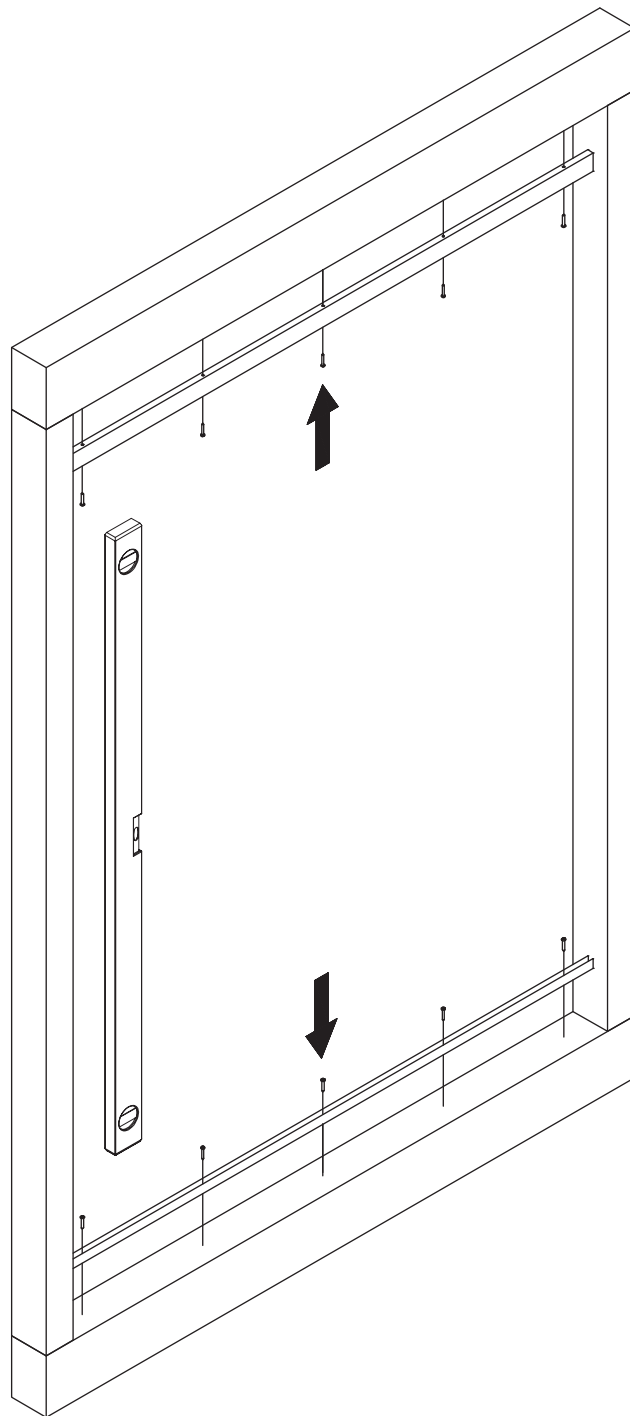
# ASSEMBLY INSTRUCTION

## DRILLING ALUMINUM PROFILES



# ASSEMBLY INSTRUCTION

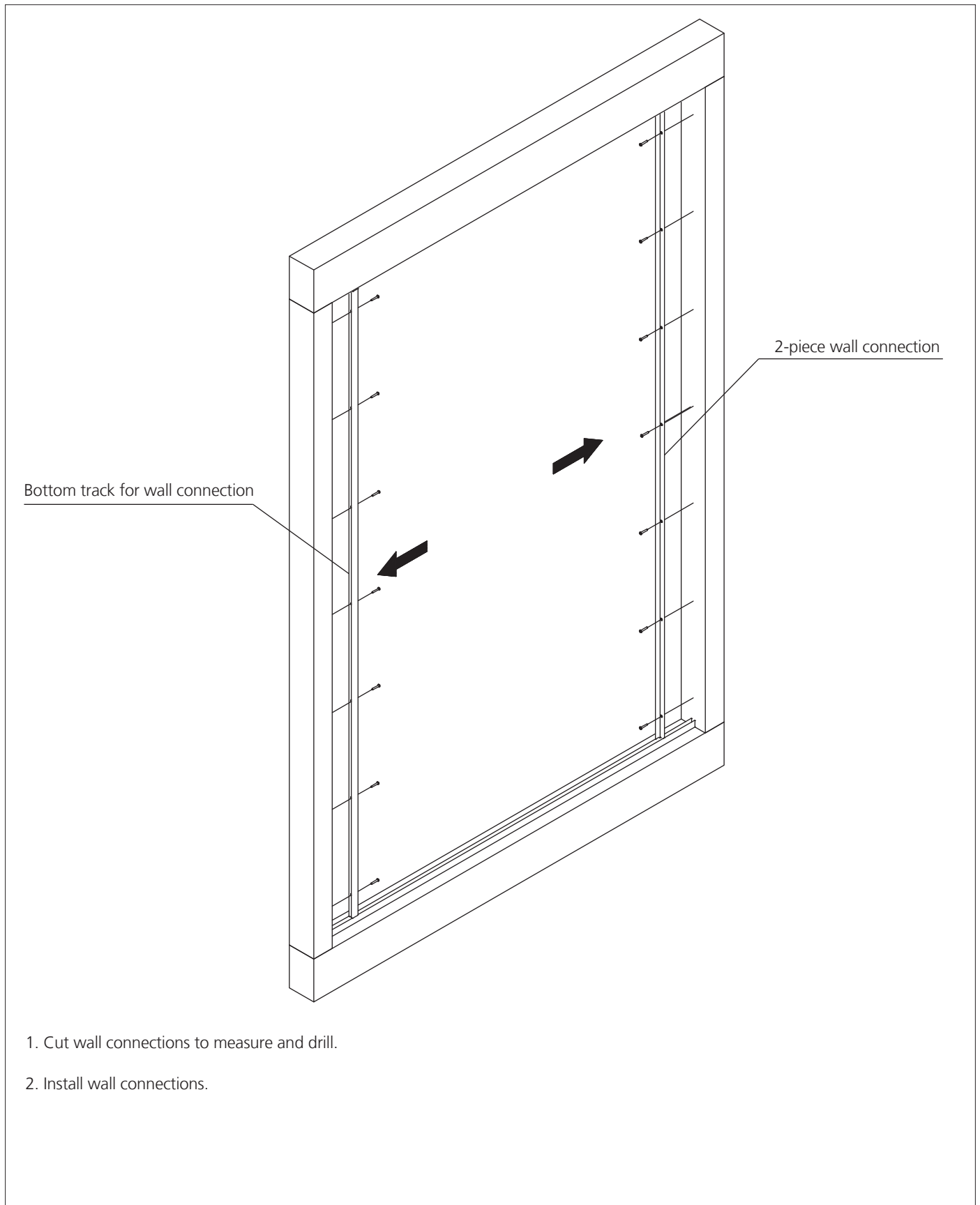
## BOTTOM- / TOP TRACK



1. Cut bottom and top track to measure and drill.
2. Install top track.
3. Bottom track aligned install.

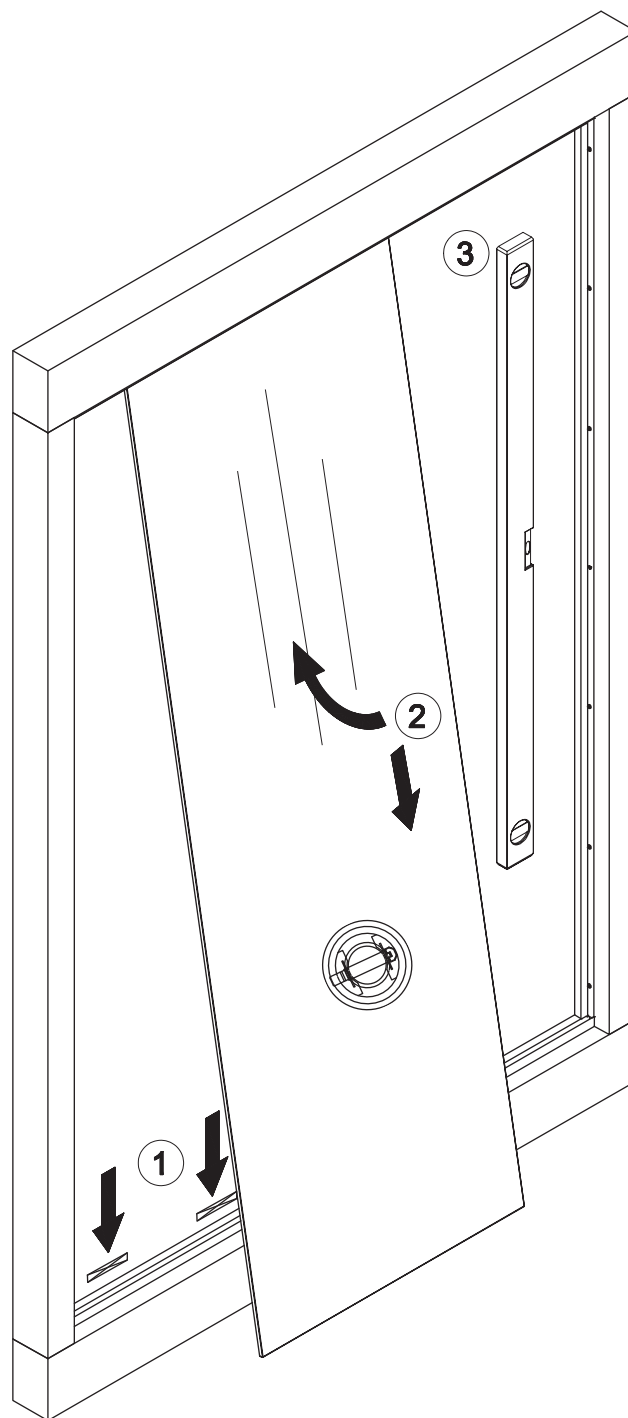
# ASSEMBLY INSTRUCTION

## WALL CONNECTION



# ASSEMBLY INSTRUCTION

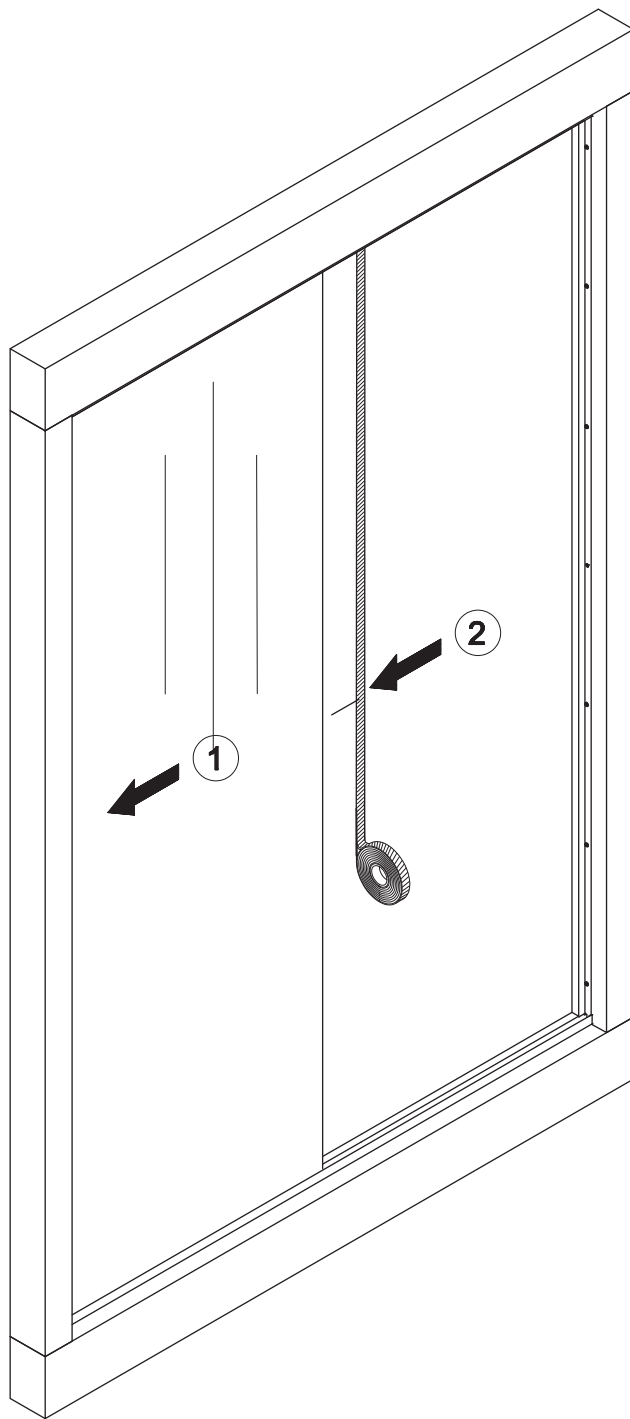
## 1.ELEMENT



1. Place 2 glazing blocks in bottom track.
2. Insert the glass element with a vacuum glass lifter
3. Control the glass element with a spirit level, if necessary put any thickness of glazing blocks.

# ASSEMBLY INSTRUCTION

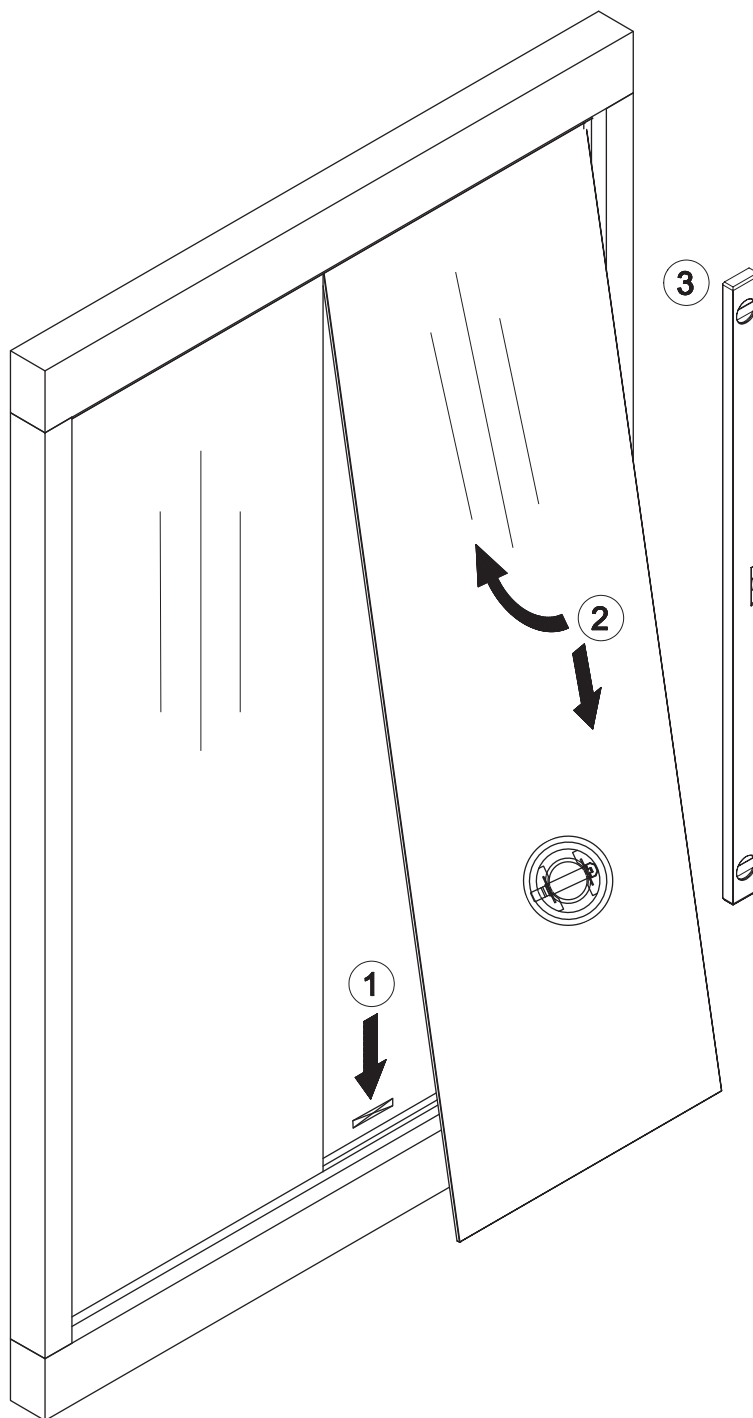
## TAPE FOR GLASS CONNECT



1. Slide glass element in the wall connection, dimensions see page 10 and page 11
2. Apply tape for glass connect.

# ASSEMBLY INSTRUCTION

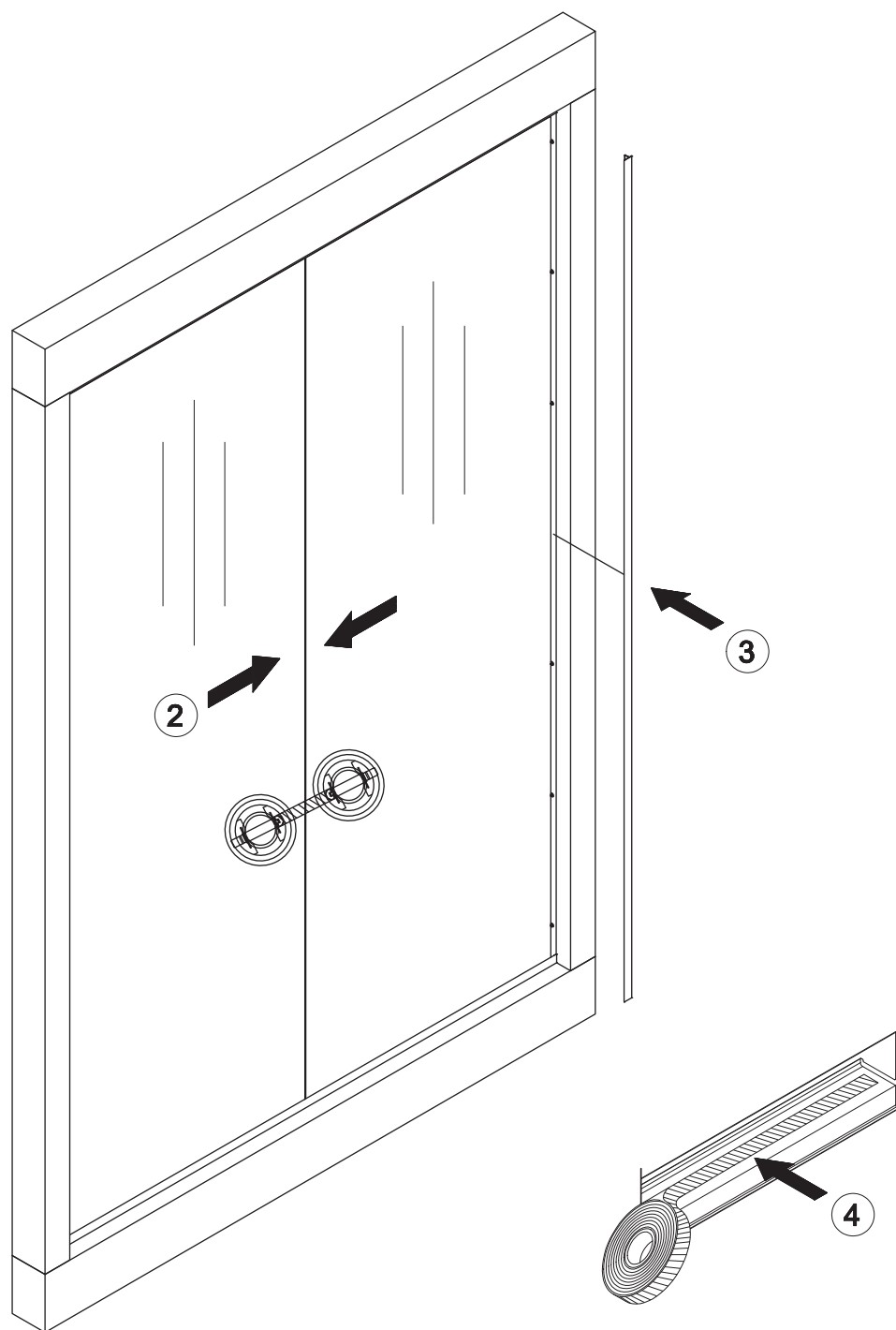
## 2.ELEMENT



1. Place 2 glazing blocks in bottom track.
2. Insert the glass element with a vacuum glass lifter
3. Control the glass element with a spirit level, if necessary put any thickness of glazing blocks.

# ASSEMBLY INSTRUCTION

STICK TOGETHER / COVER PROFILE

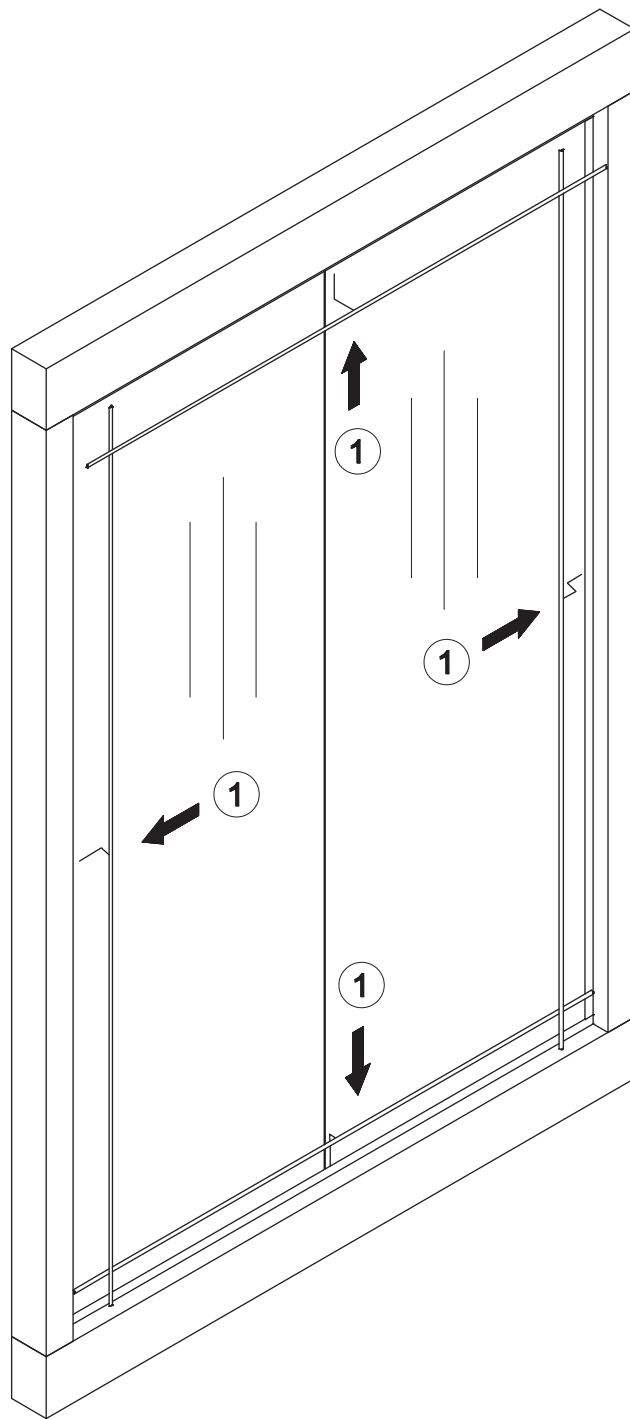


1. Align the glass elements with the help of wedges or glazing gasket on both sides between aluminum profile and glass element alignment.
2. Remove the protective film and glue both glass elements.
3. Draw together with a verifix seaming tool.
4. Apply double-sided tape on the cover profile and installing.



# ASSEMBLY INSTRUCTION

## GLASS GASKET

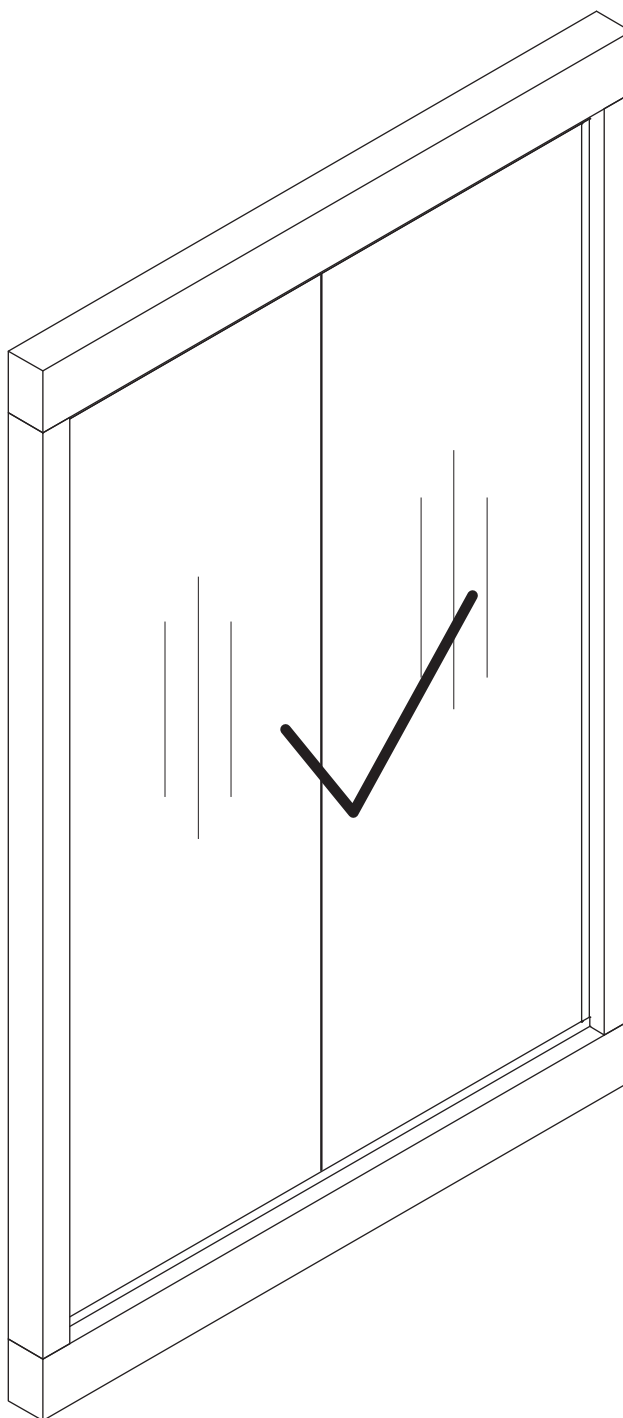



1. Cut the glass gasket with a miter scissor to length and push on both sides between glass and aluminum profile.

 Glass cleaner or silicone spray helps the glass gasket to install!

# ASSEMBLY INSTRUCTION

FINISHED



 With further elements repeat the sides 17, 18 and 19.